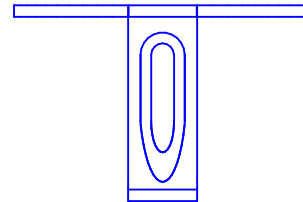
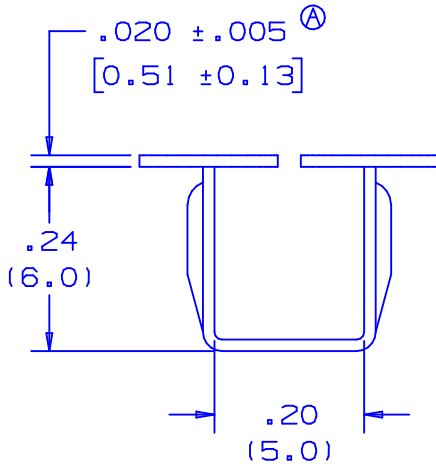


- NOTES:
1. DIMENSIONAL TOLERANCES:
 .XX ±.02 (.5)
 .XXX ±.010 (.25)
 2. USE WITH STANDARD CROSS SECTION MLTs.
 3. DIMS IN () ARE mm.
 4. TO BE INSTALLED IN .25 (6.3) DIAMETER HOLE. USED ON PLATE THICKNESS OF .03 - .12 (.8 - 4.0)
 5. PACKAGE QTY: Q = 25



S41075_02

							<h1>PANDUIT</h1> <p>CORP. TINLEY PARK, ILLINOIS</p>	
							<h2>METAL PUSH BUTTON MOUNT</h2> <h3>MBM-H25</h3>	
					UNLESS OTHERWISE SPECIFIED, DIMENSIONAL TOLERANCES ARE: (.X) ± (.XXX) ± (.XX) ± ANGLES ±		UNLESS OTHERWISE SPECIFIED, ALL DIMENSIONS ARE GIVEN IN INCHES, THIRD ANGLE PROJECTION.	
02	1/04	BRH		Ⓐ CHANGED DIM TO .020±.005, WAS .02	11472			
01	1/01	KMD	JAC	ADDED NOTE 5 CAD FILE SPEC WAS N41075SA_PCD_00	09010	JAC	CCH	DRAWN BY BJO
00	11/92	BO	JAC	RELEASED	01265	LA	GP	DATE 11/11/92
REV	DATE	BY	CHK	DESCRIPTION	ECN #	CUST	PM	CHK'D JAC
							MAT'L: 304 STAINLESS STEEL	
							SCALE 4X	
							DRAWING NO. S41075	
							DWG SIZE A	